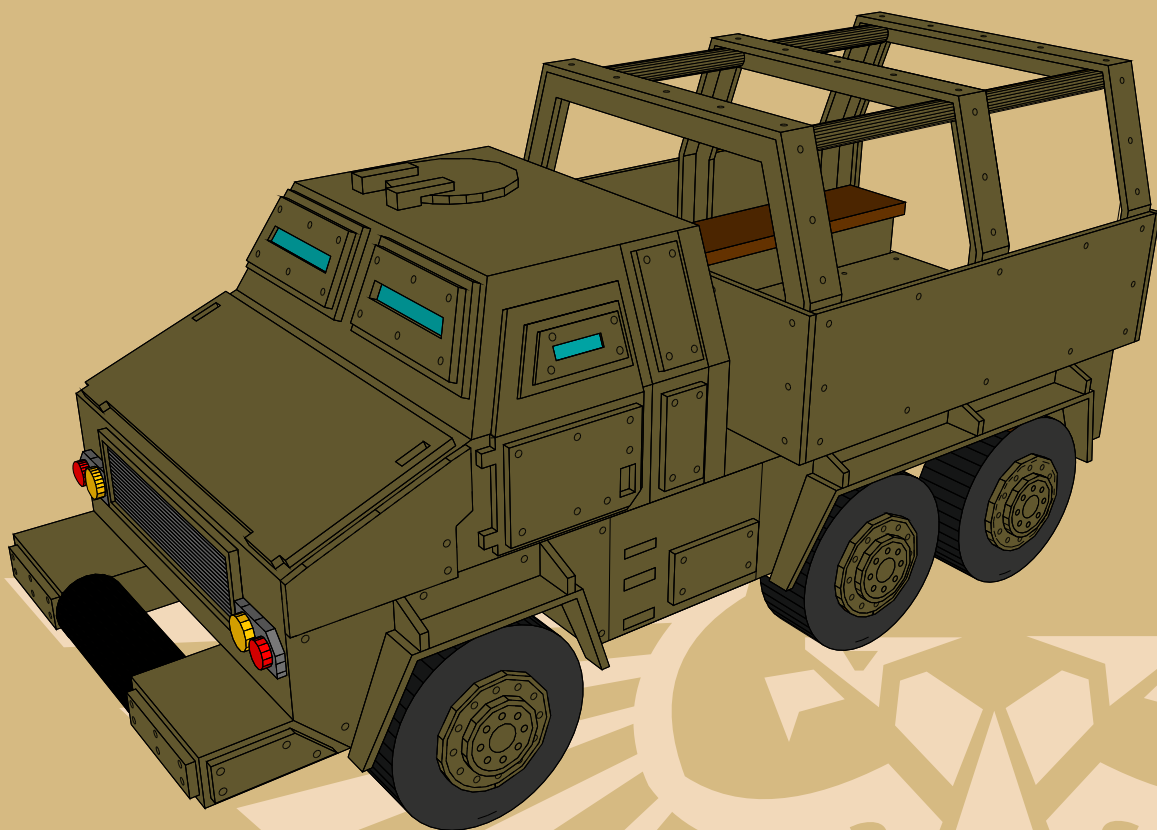


deptus mechanicus departamento manufacturum

Track

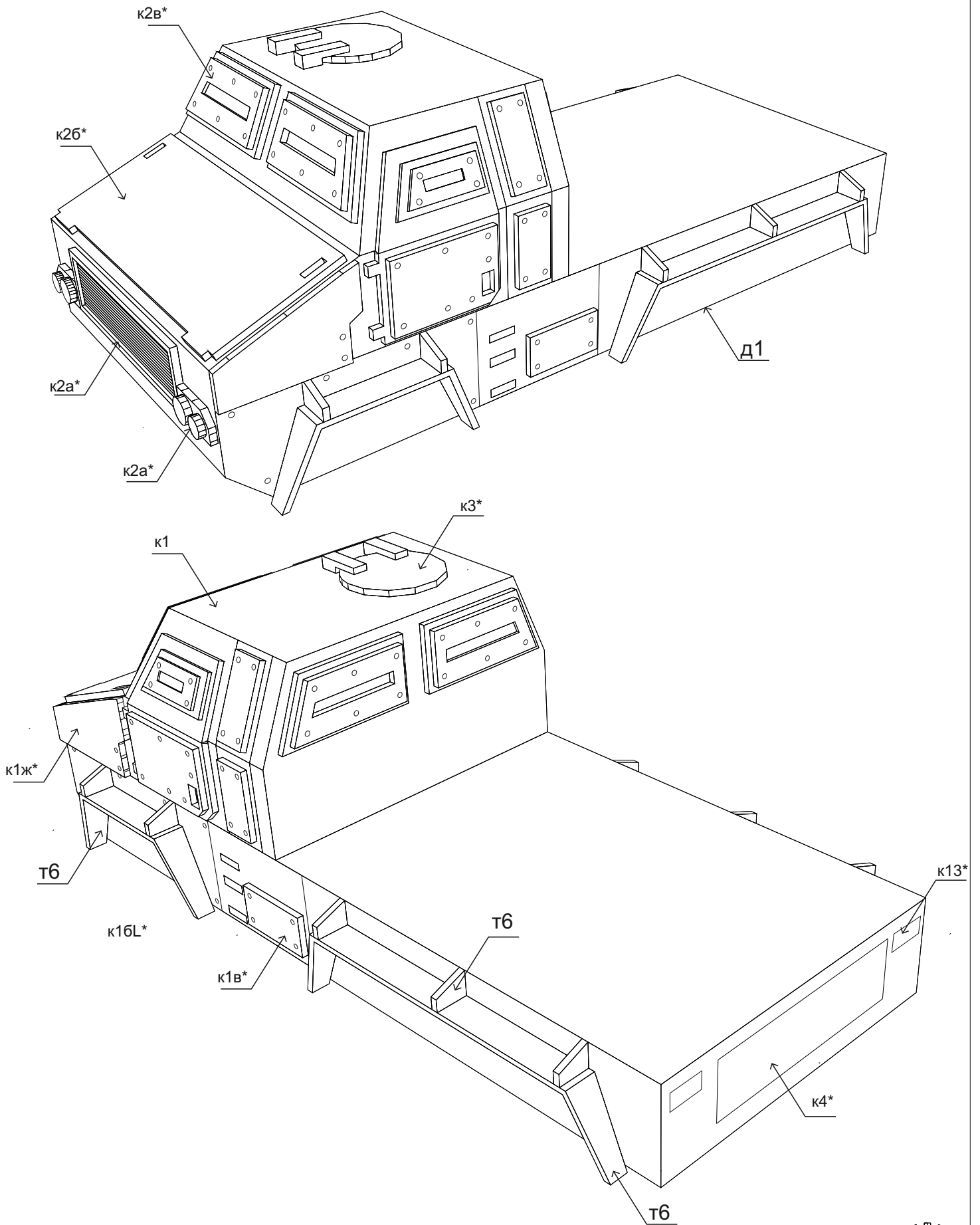


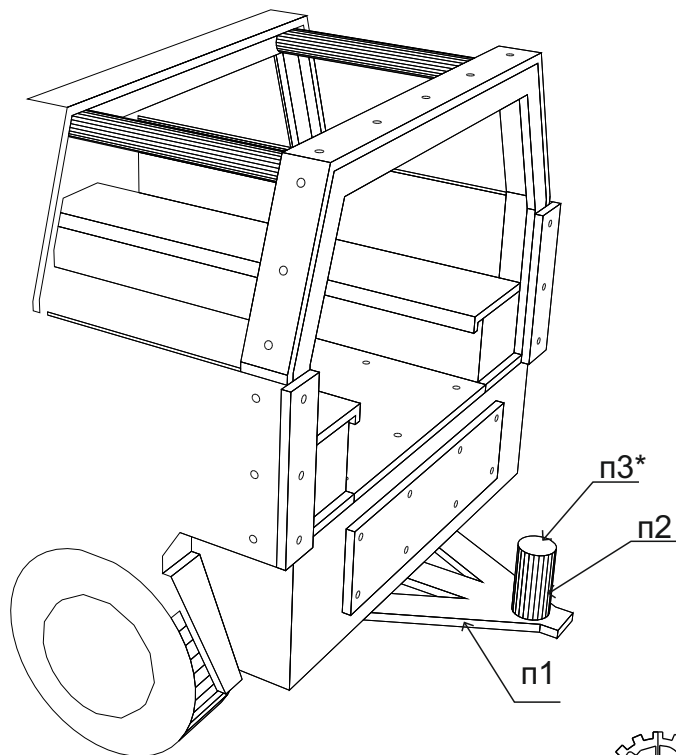
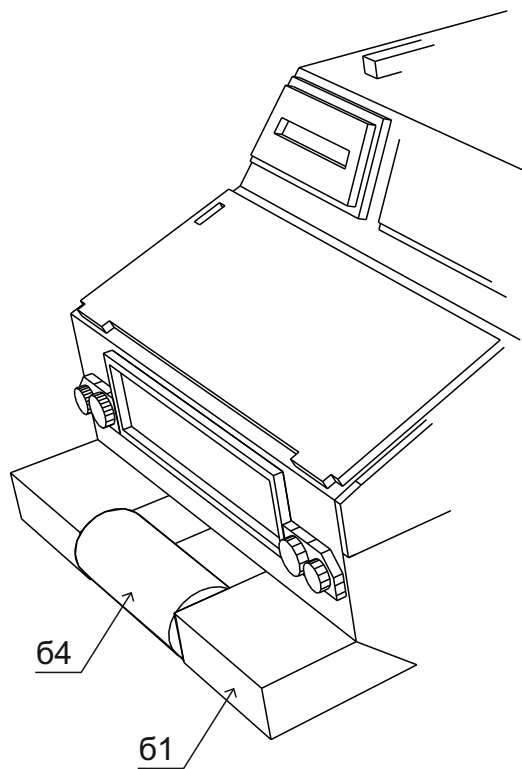
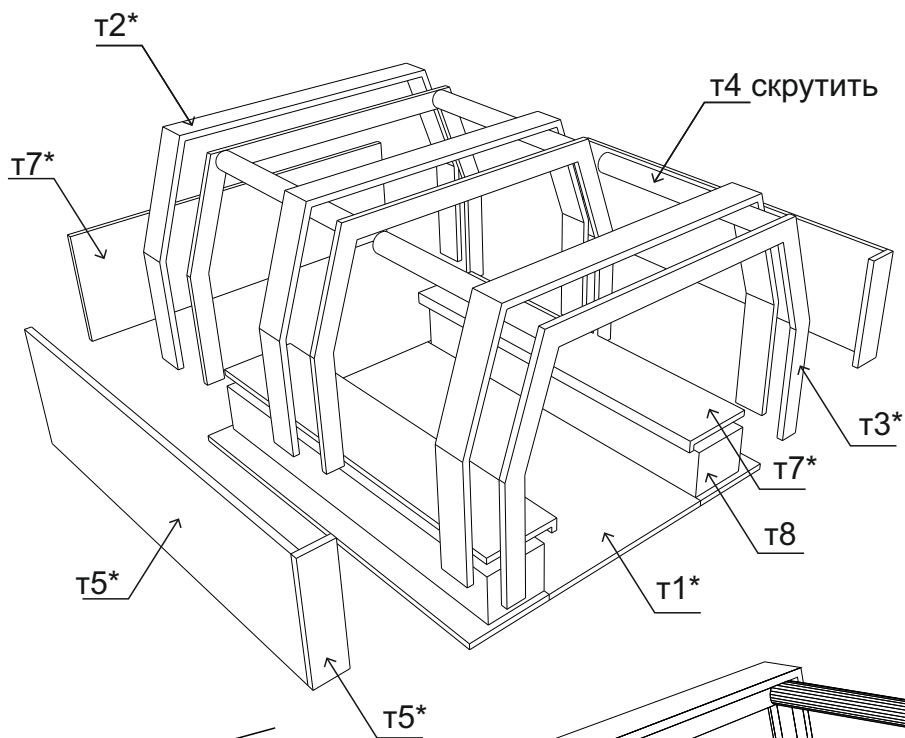
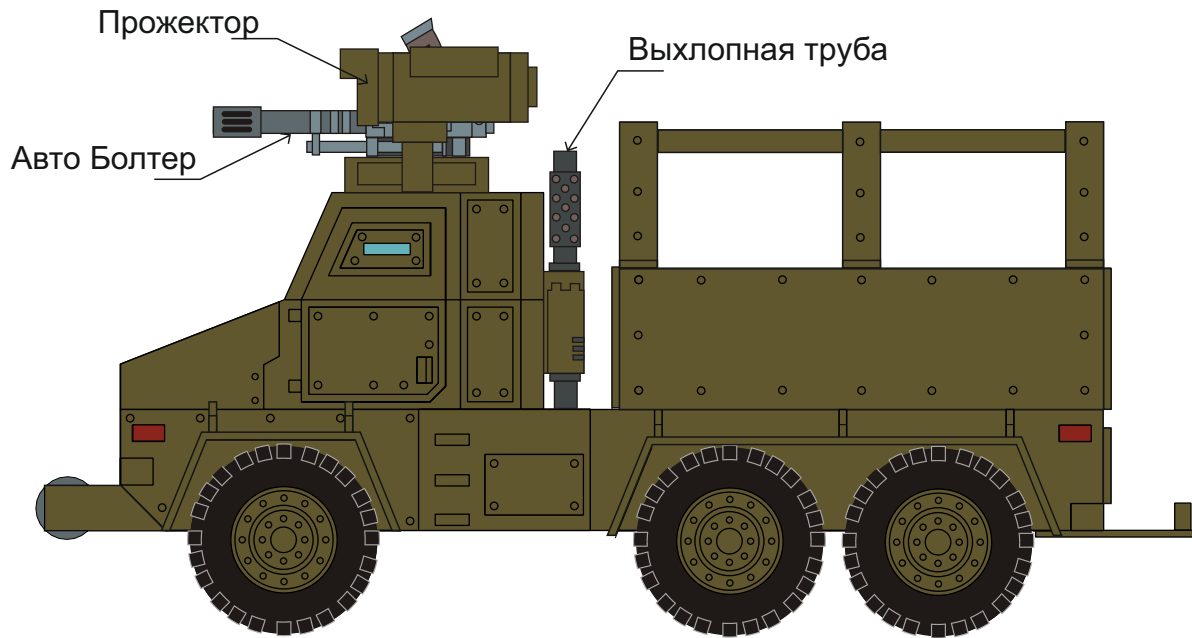
Maximus

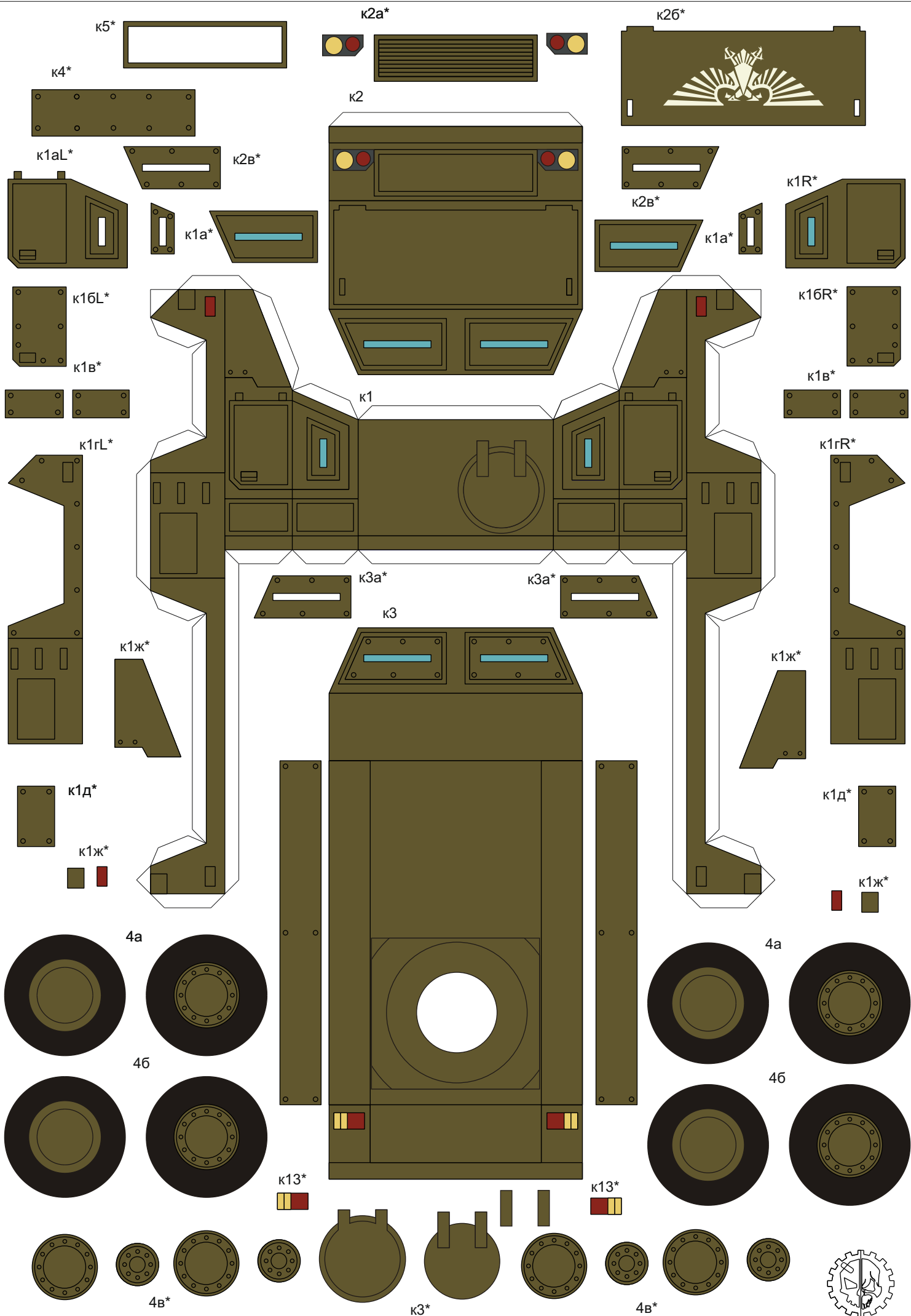
Free model, not for sale

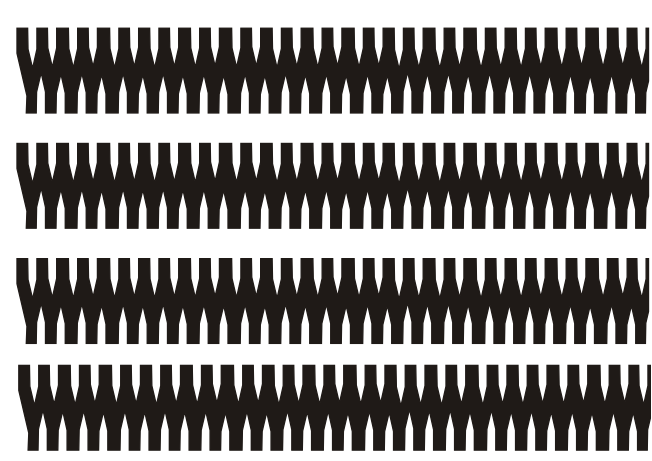
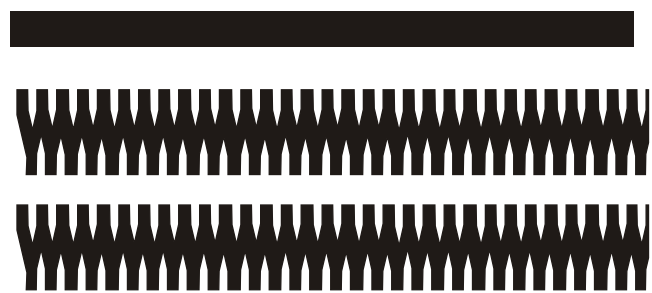
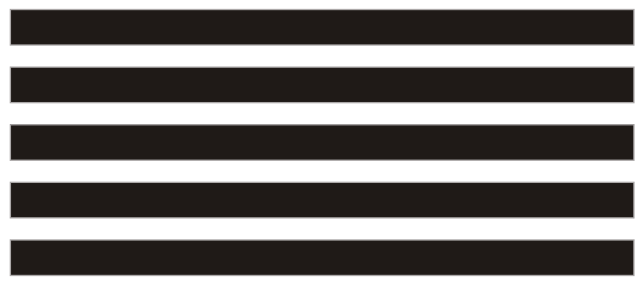
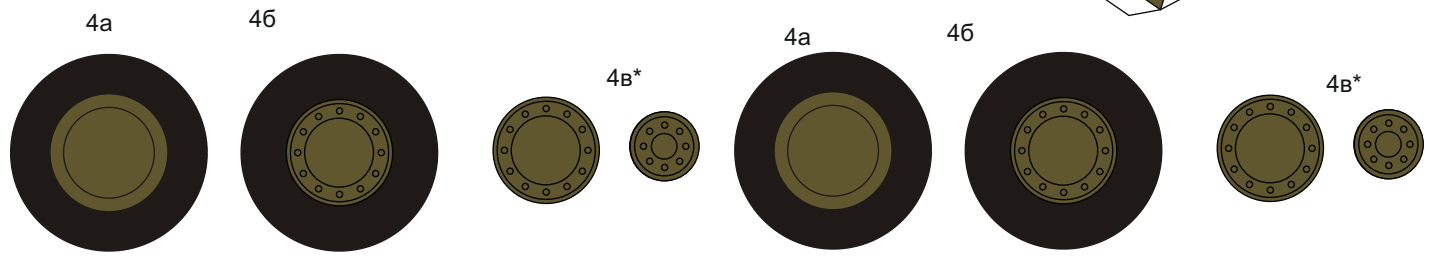
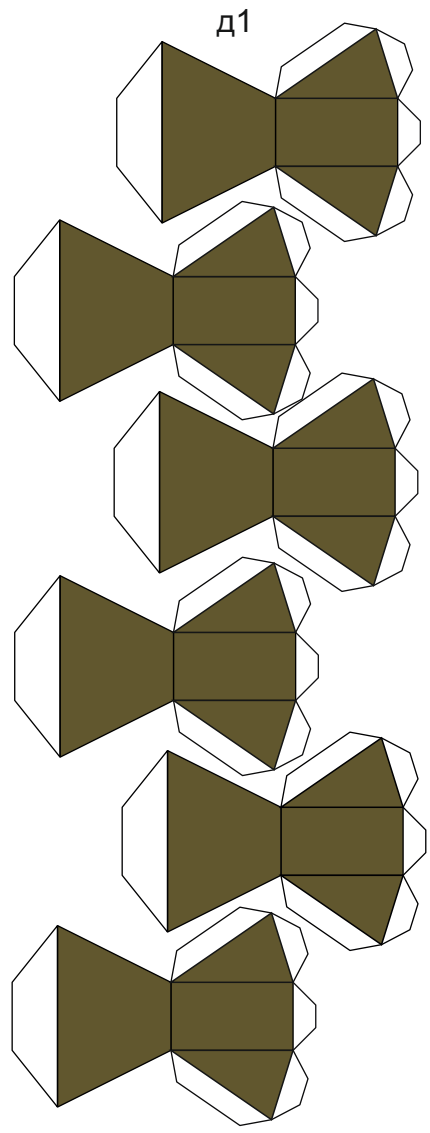
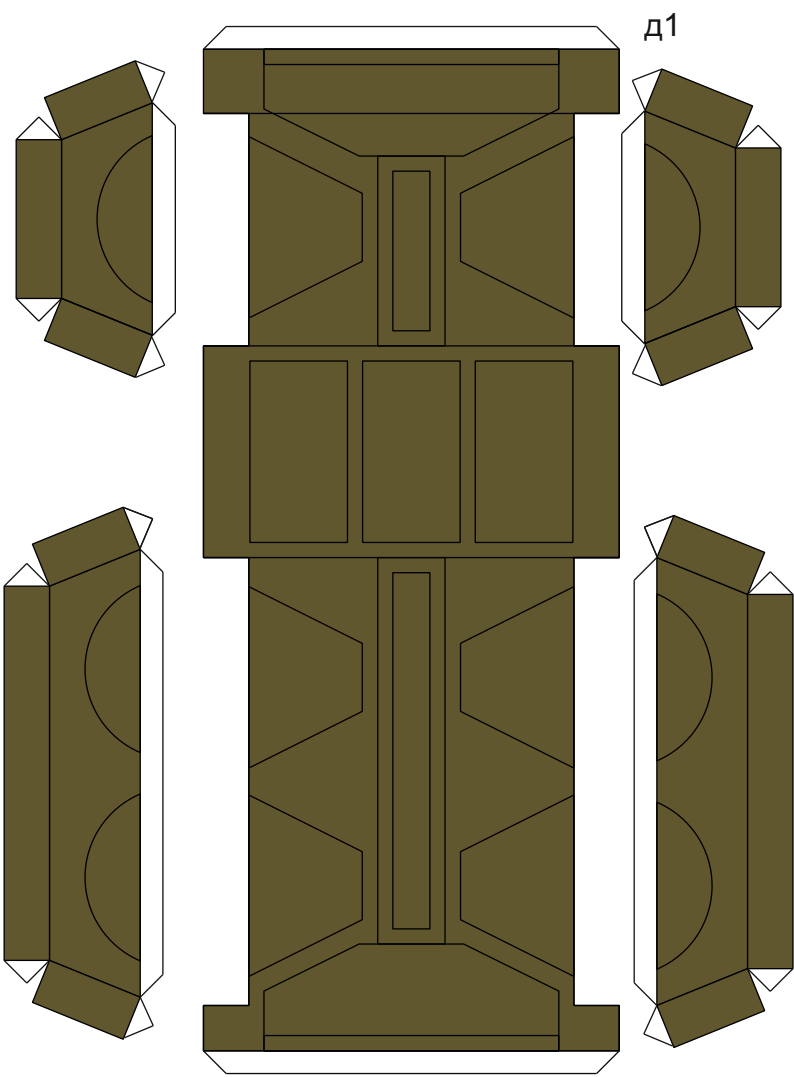


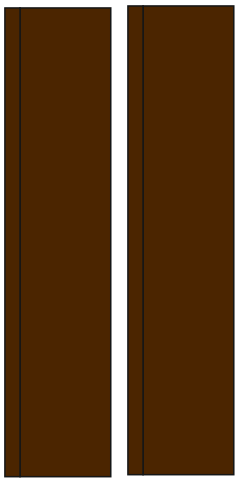
2019 №2



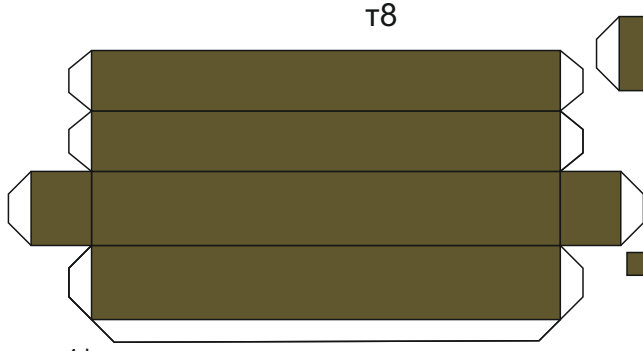




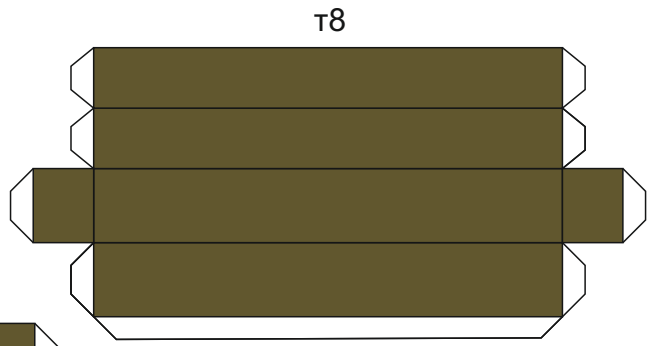




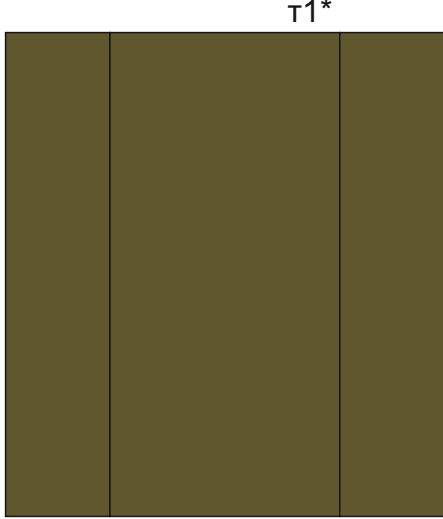
T7*



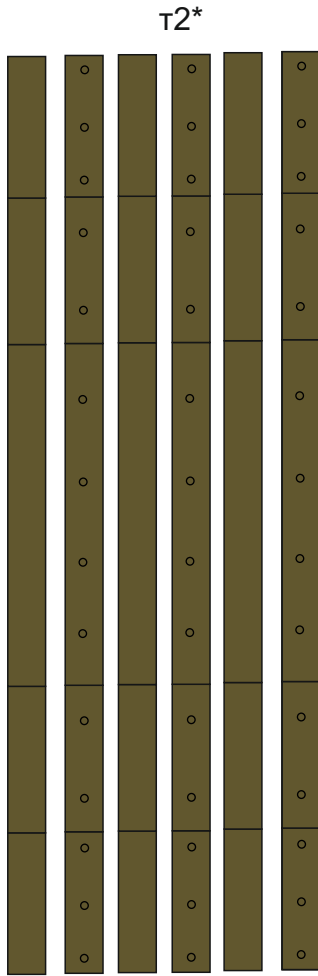
T8



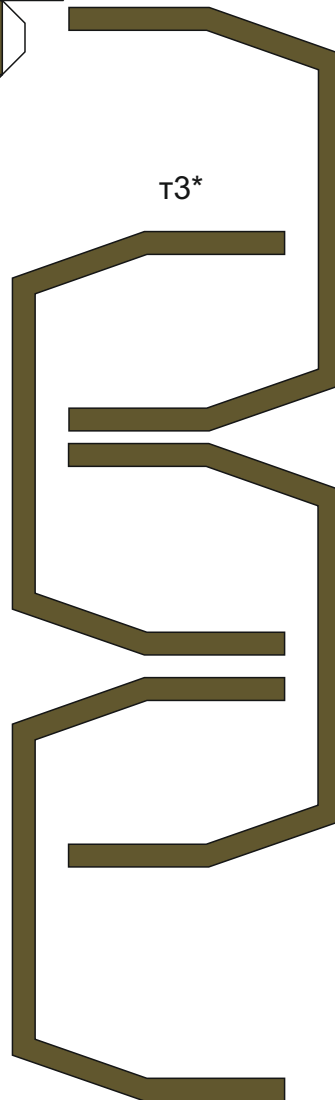
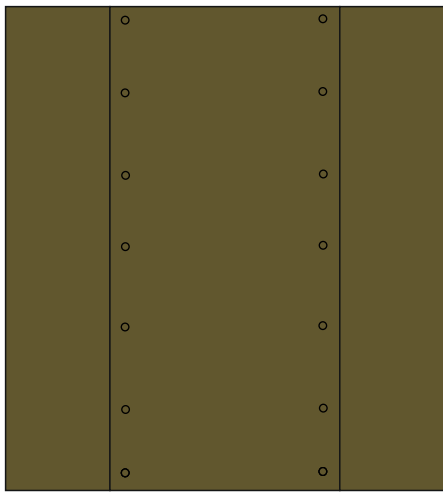
T8



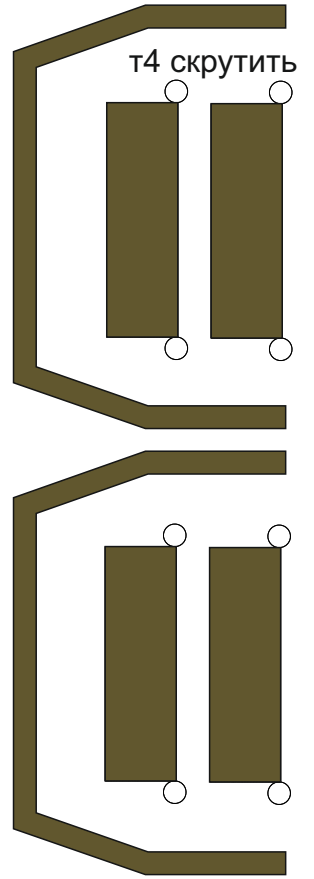
T1*



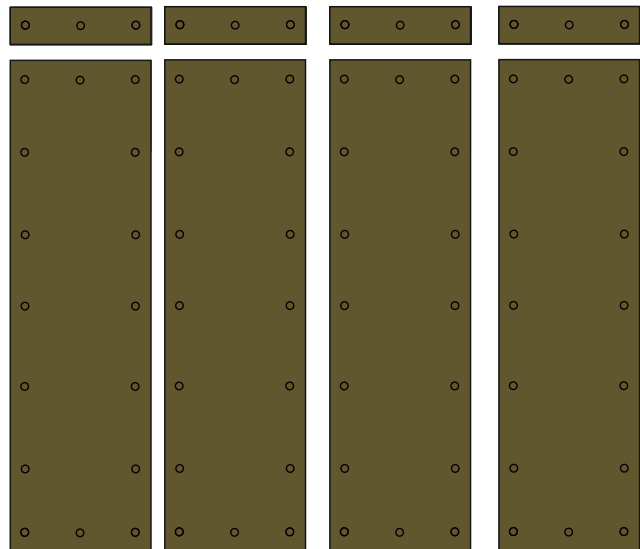
T2*



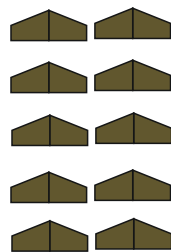
T3*



T4 скрутить



T5*



T6

